

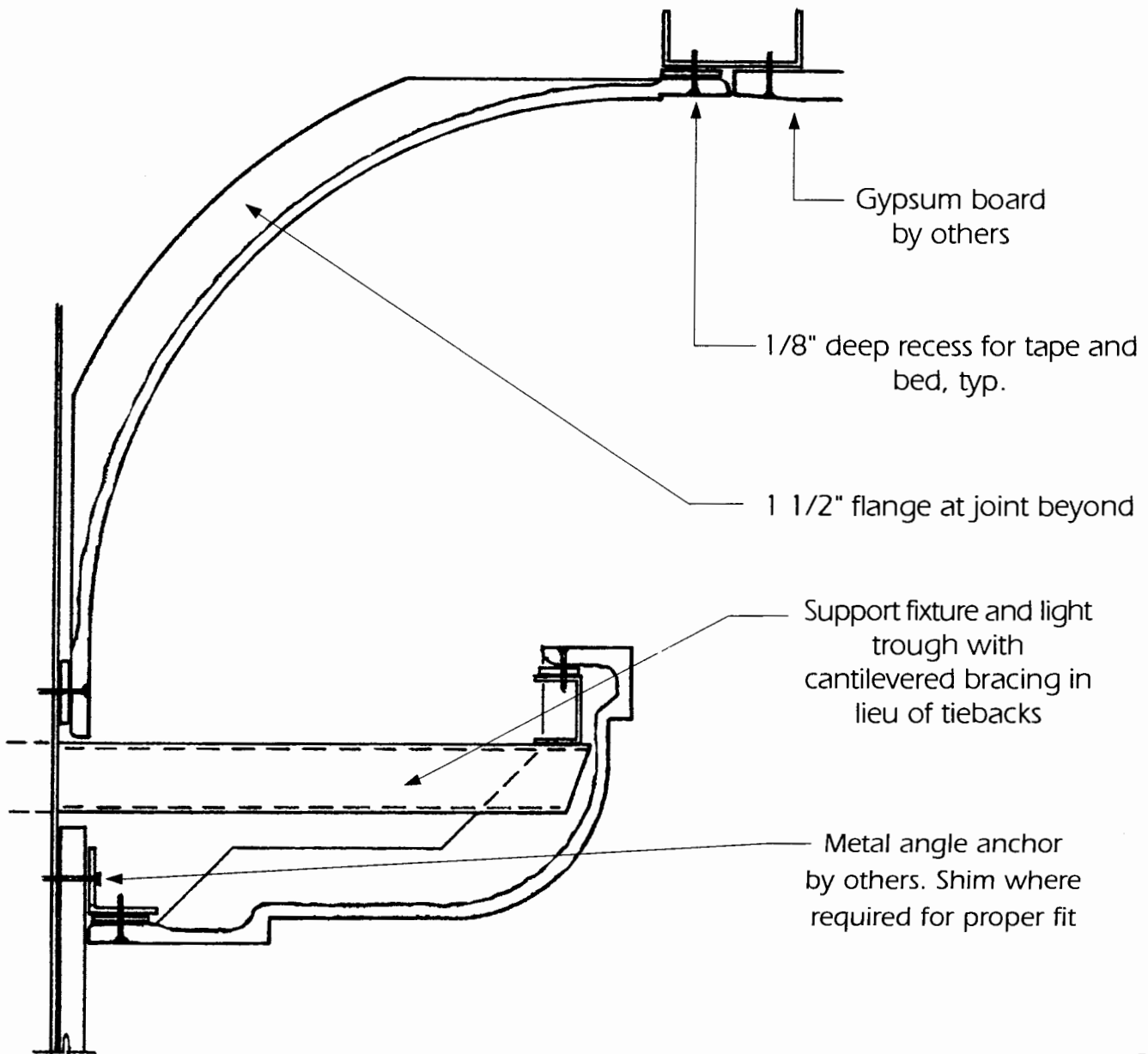
TYPICAL LIGHT COVE / REFLECTOR COVE

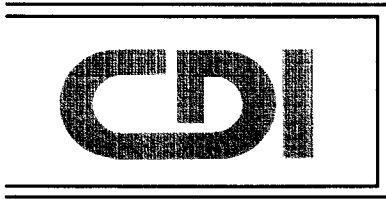
Lengths are usually 8' 0"

Tape and bed recesses between parts

Options for one-piece corners

Custom designed shapes and sizes

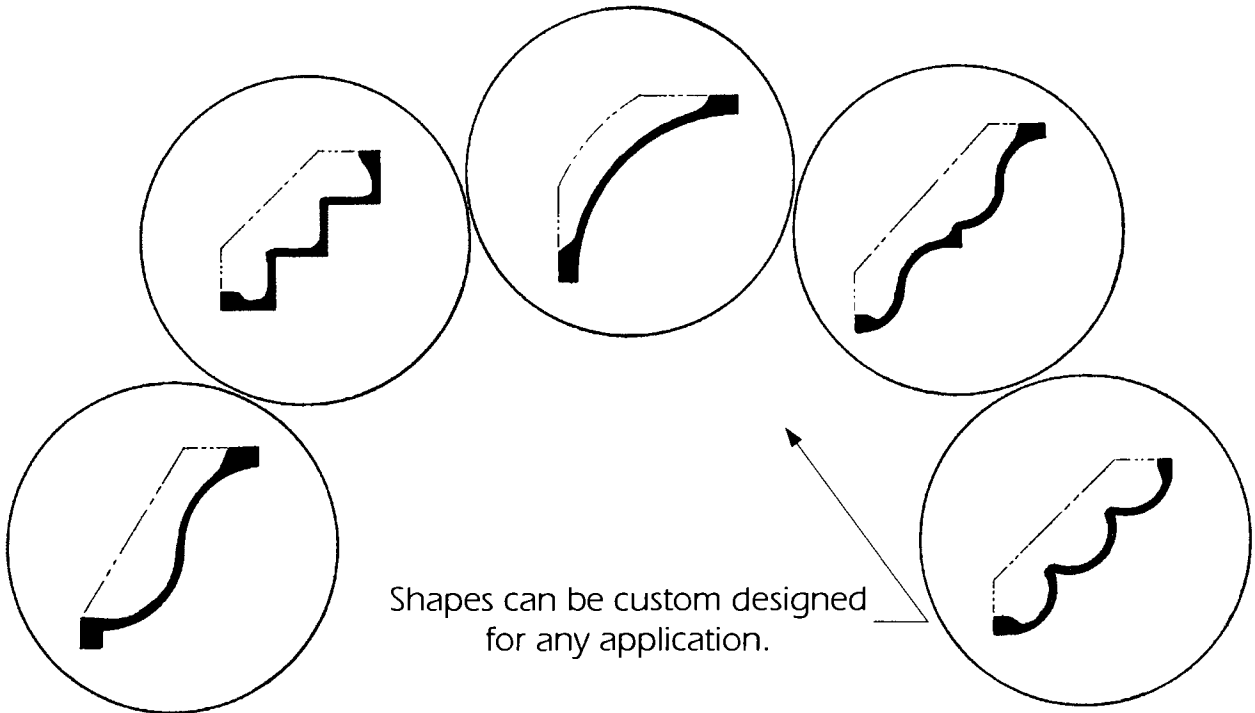




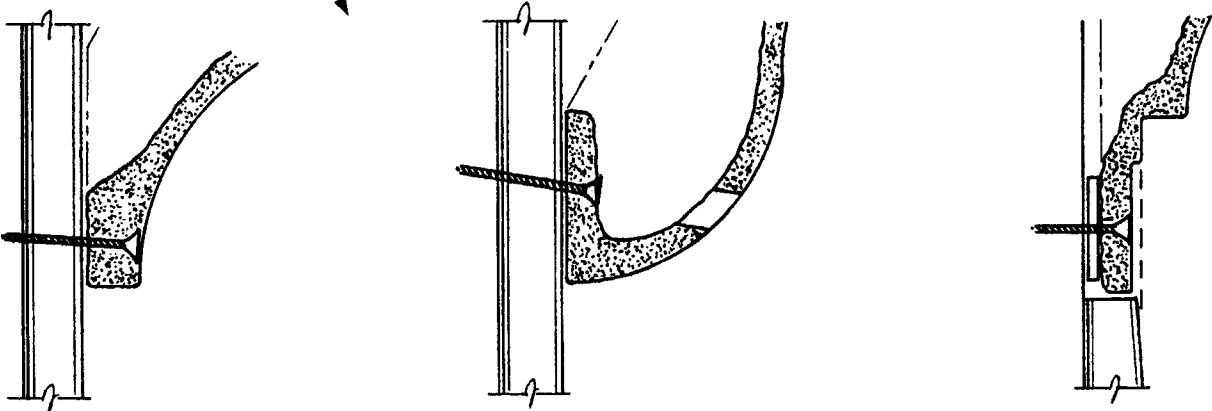
CASTING DESIGNS, INC.

GLASS FIBER REINFORCED GYPSUM AND CEMENT

CORNICES AND MOLDINGS



Connections may vary depending upon installation requirements.

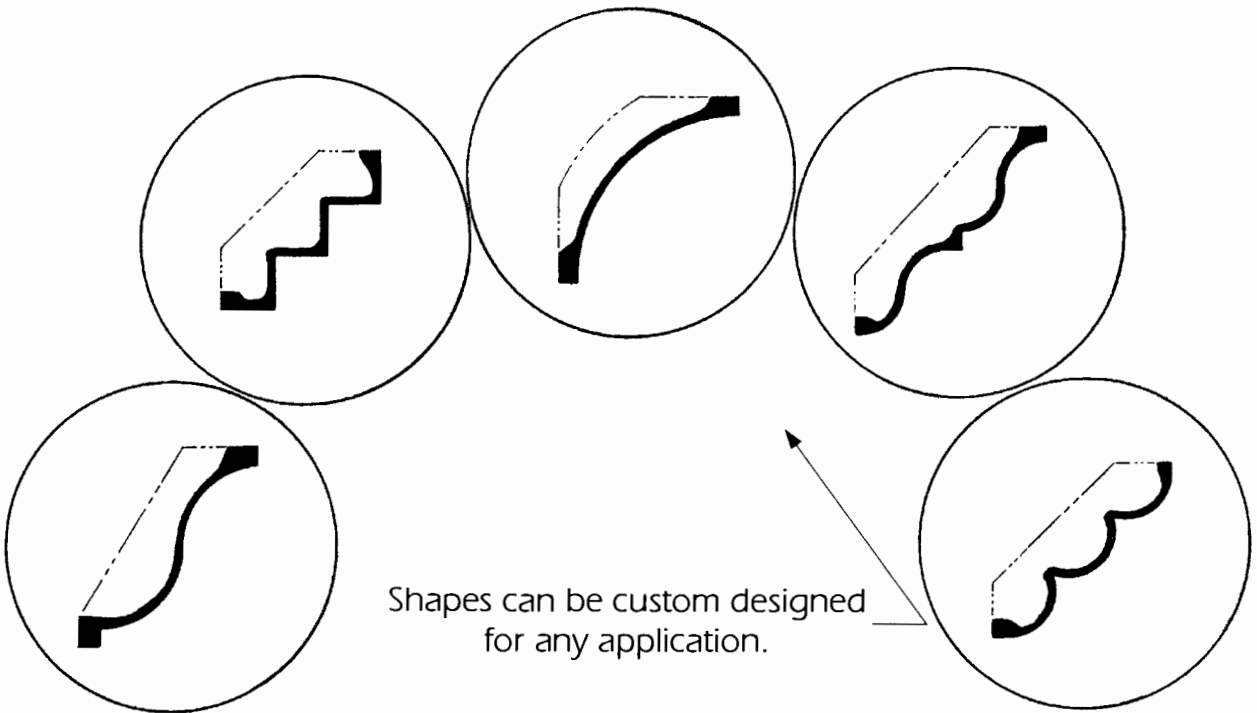




CASTING DESIGNS, INC.

GLASS FIBER REINFORCED GYPSUM AND CEMENT

CORNICES AND MOLDINGS



Shapes can be custom designed for any application.

Connections may vary depending upon installation requirements.

